

OFFERS HUGE OPTIONS

This range offers over 260 versions. Choose MNX if you have a large product family that needs to be housed in matching enclosures with the minimum of fuss, no matter the environment or installation height. For the protection of electrical and electronic components of all kinds.

PC: IP 66/67; IK 08

ABS: IP 66/67; IK 07

DIMENSIONS:

100 x 100 x 35 mm – 360 x 255 x 152 mm

(max. 175 mm depth in size PC/PCM 200.)



SIZES AND PRODUCT VERSIONS

| Dimensions | Polycarbonate grey cover | | Polycarbonate transparent cover | | Polycarbonate metric knock-outs, grey cover | | Polycarbonate, metric knock-outs, transparent cover | | ABS grey cover | |
|---------------|-----------------------------|----------------|------------------------------------|----------------|---|----------------|---|----------------|-------------------|----------------|
| | Code | Symbol | Code | Symbol | Code | Symbol | Code | Symbol | Code | Symbol |
| 100x100 x 35 | 6012331 | PC 95/35 LG | 6012931 | PC 95/35 LT | | | | | | |
| 100x100 x 50 | 6012332 | PC 95/50 LG | 6012932 | PC 95/50 LT | | | | | | |
| 100x100 x 60 | 6011331 | PC 95/60 HG | | | 6016331 | PCM 95/60 G | | | 6081331 | ABS 95/60 HG |
| 100x100 x 75 | 6011332 | PC 95/75 HG | | | 6016332 | PCM 95/75 G | | | 6081332 | ABS 95/75 HG |
| 130x 80 x 35 | 6012301 | PC 100/35 LG | 6012901 | PC 100/35 LT | | | | | | |
| 130x 80 x 50 | 6012302 | PC 100/50 LG | 6012902 | PC 100/50 LT | | | | | | |
| 130x 80 x 100 | 6012304 | PC 100/100 LG | | | | | | | | |
| 130x 80 x 60 | 6011301 | PC 100/60 HG | 6011901 | PC 100/60 HT | 6016301 | PCM 100/60 G | | | | |
| 130x 80 x 75 | 6011302 | PC 100/75 HG | 6011902 | PC 100/75 HT | 6016302 | PCM 100/75 G | 6016902 | PCM 100/75 T | | |
| 130x 80 x 100 | 6011303 | PC 100/100 HG | | | 6016303 | PCM 100/100 G | 6016903 | PCM 100/100 T | | |
| 130x 80 x 125 | 6011304 | PC 100/125 HG | | | 6016304 | PCM 100/125 G | 6016904 | PCM 100/125 T | | |
| 130x130 x 35 | 6012307 | PC 125/35 LG | 6012907 | PC 125/35 LT | | | | | | |
| 130x130 x 50 | 6012308 | PC 125/50 LG | | | | | | | | |
| 130x130 x 100 | 6012310 | PC 125/100 LG | | | | | | | | |
| 130x130 x 60 | 6011307 | PC 125/60 HG | 6011907 | PC 125/60 HT | 6016307 | PCM 125/60 G | 6016907 | PCM 125/60 T | 6081307 | ABS 125/60 HG |
| 130x130 x 75 | 6011308 | PC 125/75 HG | 6011908 | PC 125/75 HT | 6016308 | PCM 125/75 G | 6016908 | PCM 125/75 T | 6081308 | ABS 125/75 HG |
| 130x130 x 100 | 6011309 | PC 125/100 HG | 6011909 | PC 125/100 HT | 6016309 | PCM 125/100 G | 6016909 | PCM 125/100 T | 6081309 | ABS 125/100 HG |
| 130x130 x 125 | 6011310 | PC 125/125 HG | 6011910 | PC 125/125 HT | 6016310 | PCM 125/125 G | 6016910 | PCM 125/125 T | 6081310 | ABS 125/125 HG |
| 180x130 x 35 | 6012313 | PC 150/35 LG | 6012913 | PC 150/35 LT | | | | | | |
| 180x130 x 50 | 6012314 | PC 150/50 LG | 6012914 | PC 150/50 LT | | | | | | |
| 180x130 x 60 | 6011313 | PC 150/60 HG | 6011913 | PC 150/60 HT | 6016313 | PCM 150/60 G | 6016913 | PCM 150/60 T | 6081313 | ABS 150/60 HG |
| 180x130 x 75 | 6011314 | PC 150/75 HG | 6011914 | PC 150/75 HT | 6016314 | PCM 150/75 G | 6016914 | PCM 150/75 T | 6081314 | ABS 150/75 HG |
| 180x130 x 100 | 6011315 | PC 150/100 HG | 6011915 | PC 150/100 HT | 6016315 | PCM 150/100 G | 6016915 | PCM 150/100 T | 6081315 | ABS 150/100 HG |
| 180x130 x 125 | 6011316 | PC 150/125 HG | | | 6016316 | PCM 150/125 G | 6016916 | PCM 150/125 T | 6081316 | ABS 150/125 HG |
| 180x130 x 150 | 6011317 | PC 150/150 HG | 6011917 | PC 150/150 HT | 6016317 | PCM 150/150 G | 6016917 | PCM 150/150 T | | |
| 180x130 x 85 | 6013333 | PC 150/85 XHG | | | 6016333 | PCM 150/85 XG | | | | |
| 180x130 x 100 | 6013334 | PC 150/100 XHG | | | | | | | | |
| 180x180 x 60 | 6011319 | PC 175/60 HG | 6011919 | PC 175/60 HT | 6016319 | PCM 175/60 G | | | 6081319 | ABS 175/60 HG |
| 180x180 x 75 | 6011320 | PC 175/75 HG | 6011920 | PC 175/75 HT | 6016320 | PCM 175/75 G | 6016920 | PCM 175/75 T | 6081320 | ABS 175/75 HG |
| 180x180 x 100 | 6011321 | PC 175/100 HG | | | 6016321 | PCM 175/100 G | 6016921 | PCM 175/100 T | 6081321 | ABS 175/100 HG |
| 180x180 x 125 | 6011322 | PC 175/125 HG | | | 6016322 | PCM 175/125 G | 6016922 | PCM 175/125 T | 6081322 | ABS 175/125 HG |
| 180x180 x 150 | 6011323 | PC 175/150 HG | 6011923 | PC 175/150 HT | 6016323 | PCM 175/150 G | 6016923 | PCM 175/150 T | 6081323 | ABS 175/150 HG |
| 255x180 x 63 | 6011324 | PC 200/63 HG | 6011924 | PC 200/63 HT | 6016324 | PCM 200/63 G | 6016924 | PCM 200/63 T | | |
| 255x180 x 75 | 6011326 | PC 200/75 HG | 6011926 | PC 200/75 HT | 6016326 | PCM 200/75 G | 6016926 | PCM 200/75 T | | |
| 255x180 x 100 | 6011327 | PC 200/100 HG | 6011927 | PC 200/100 HT | 6016327 | PCM 200/100 G | 6016927 | PCM 200/100 T | 6081327 | ABS 200/100 HG |
| 255x180 x 150 | 6011329 | PC 200/150 HG | 6011929 | PC 200/150 HT | 6016329 | PCM 200/150 G | 6016929 | PCM 200/150 T | 6081329 | ABS 200/150 HG |
| 255x180 x 88 | 6013330 | PC 200/88 XHG | 6013930 | PC 200/88 XHT | | | | | | |
| 255x180 x 100 | 6013326 | PC 200/100 XHG | | | 6015326 | PCM 200/100 XG | | | | |
| 255x180 x 125 | 6013327 | PC 200/125 XHG | 6013927 | PC 200/125 XHT | 6015327 | PCM 200/125 XG | 6015927 | PCM 200/125 XT | | |
| 255x180 x 175 | 6013329 | PC 200/175 XHG | 6013929 | PC 200/175 XHT | 6015329 | PCM 200/175 XG | 6015929 | PCM 200/175 XT | | |
| 360x255 x 152 | 6017338 | PC 300/150 ZG | 6017938 | PC 300/150 ZT | | | | | | |

L = low base, 25 mm

H = high base, 50 mm

XH = extra high base, 75 mm

Z = extra high base, 100 mm

| Product group | Control unit/cabinet | Power distribution unit/cabinet | Power distribution board | Terminal enclosure | Junction box | Instrumentation | Electronic devices |
|---------------|----------------------|---------------------------------|--------------------------|--------------------|--------------|-----------------|--------------------|
| MNX | – | – | – | • | – | • | • |

ACCESSORIES

Mounting plates (Galvanized steel, 1,5 mm)

| Dimensions | Code | Symbol | For enclosures |
|------------|---------|---------|--------------------|
| 66 x 80 | 5514583 | MIV 95 | PC / PCM / ABS 95 |
| 98 x 48 | 5514076 | MIV 100 | PC / PCM / ABS 100 |
| 98 x 98 | 5514077 | MIV 125 | PC / PCM / ABS 125 |
| 148 x 98 | 5514078 | MIV 150 | PC / PCM / ABS 150 |
| 148 x 148 | 5514079 | MIV 175 | PC / PCM / ABS 175 |
| 223 x 148 | 5514080 | MIV 200 | PC / PCM / ABS 200 |
| 330 x 225 | 5514585 | MIV 300 | PC / PCM / ABS 300 |

DIN-rail, 35 mm, long (Galvanized steel)

| Dimensions | Code | Symbol | For enclosures |
|------------|---------|--------|--------------------|
| 80 x 35 | 8524030 | B-3 | PC / PCM / ABS 95 |
| 100 x 35 | 5514082 | MIV 10 | PC / PCM / ABS 100 |
| 100 x 35 | 5514082 | MIV 10 | PC / PCM / ABS 125 |
| 150 x 35 | 5514083 | MIV 15 | PC / PCM / ABS 150 |
| 150 x 35 | 5514083 | MIV 15 | PC / PCM / ABS 175 |
| 225 x 35 | 5514084 | MIV 20 | PC / PCM / ABS 200 |
| 329 x 35 | 5514586 | MIV 30 | PC / PCM / ABS 300 |

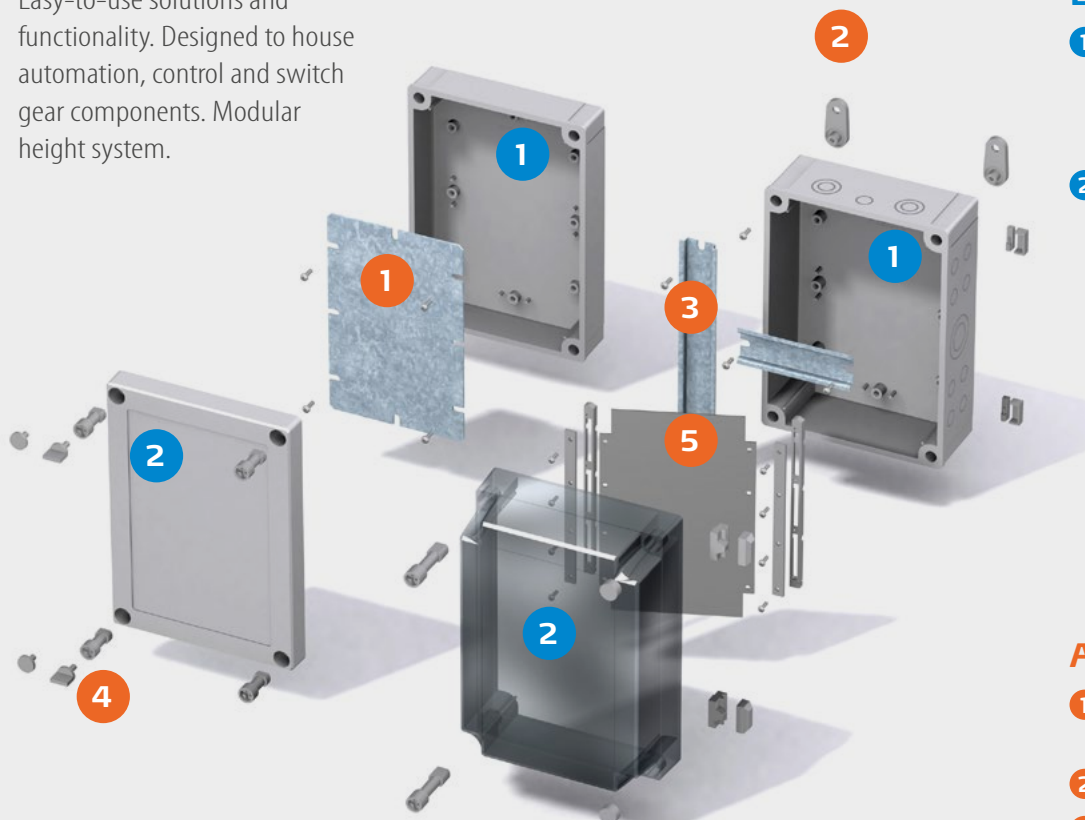
Other accessories

| Code | Symbol | Description |
|---------|----------|--|
| 8522346 | FP 22046 | Wall fastening lugs (4 pcs.) incl. screws |
| 9802001 | TH A | Grey plastic hinges (2 pcs.) incl. mounting screws |

DIN-rail, 35 mm, short (Galvanized steel)

| Dimensions | Code | Symbol | For enclosures |
|------------|---------|--------|--------------------|
| 50 x 35 | 5514081 | MIV 5 | PC / PCM / ABS 100 |
| 100 x 35 | 5514082 | MIV 10 | PC / PCM / ABS 150 |
| 150 x 35 | 5514083 | MIV 15 | PC / PCM / ABS 200 |
| 225 x 35 | 5514084 | MIV 20 | PC / PCM / ABS 300 |

Easy-to-use solutions and functionality. Designed to house automation, control and switch gear components. Modular height system.



Including:

Enclosures include: Base with screws for mounting plate, cover with PUR gasket and polyamide cover screws.

ENCLOSURE:

- 1 PC or ABS enclosure, different heights, optionally also available with metric knockouts to assure a quick fitting assembly
- 2 PC cover, grey or smoked transparent



ACCESSORIES:

- 1 Mounting plate, Electro-galvanised steel
- 2 Fastening lugs (4 pcs.) incl. screws
- 3 DIN rail TS 15/TS 35
- 4 Cover screws, various versions
- 5 Pivotal front plate, aluminium